

Anti-Slip Decking Steps

Featuring **DeckWright** Boards



Components
WJ Group

Anti-Slip Timber Decking Steps

Providing sustainable, reassuring performance

WJ GROUP - Over a decade of certified timber engineering and treatment.



- Long Lasting
- Low Maintenance
- Easy Assembly
- Weatherproof
- High PTV

www.wj-group.co.uk

WJ Components Ltd
3 Burma Drive, HU9 5SD
T: 01482 338950
E: info@wj-group.co.uk



Anti-Slip Decking Steps

Featuring **DeckWright** Boards



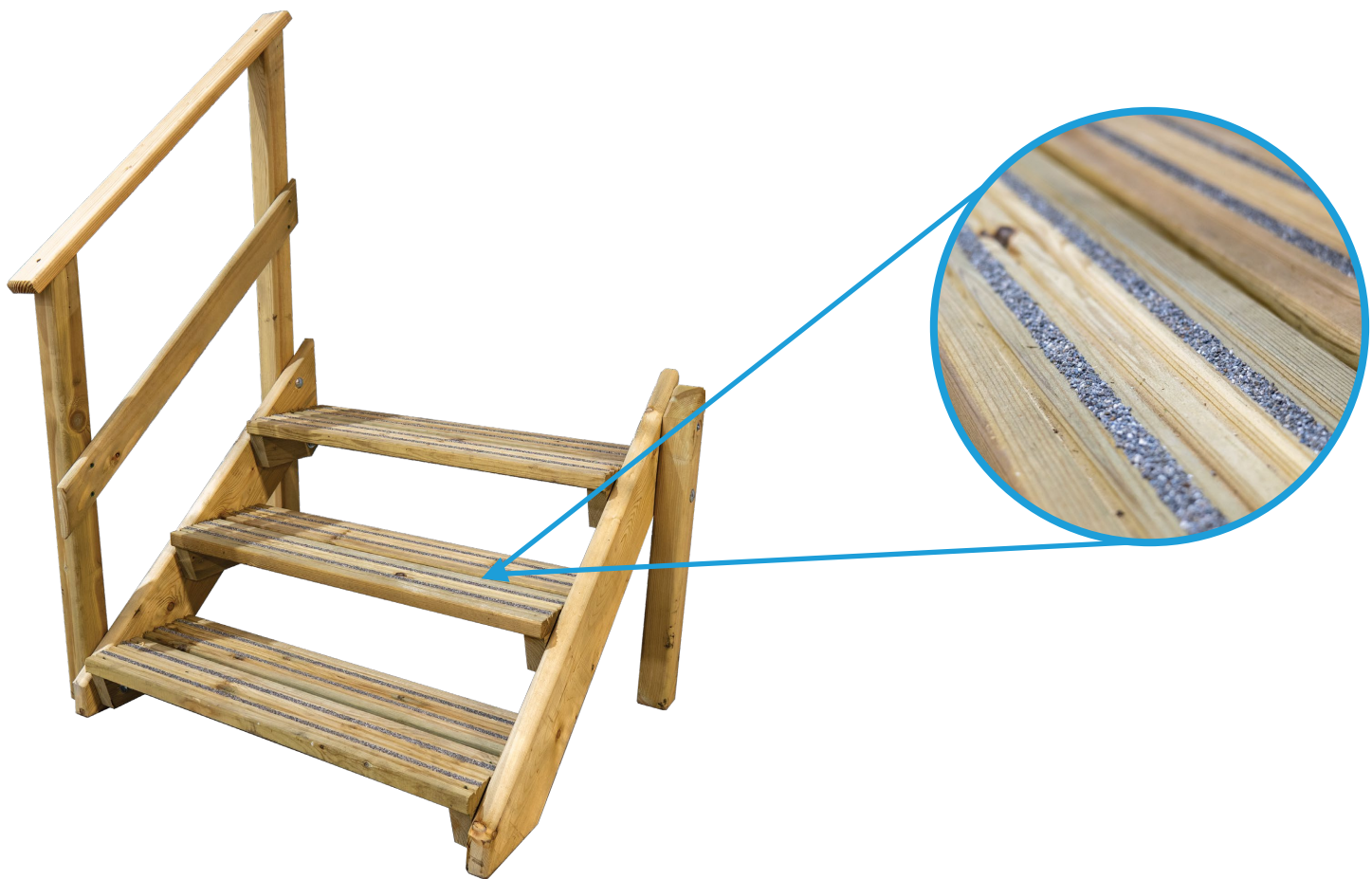
Components
WJ Group

Anti Slip Timber Decking Steps Safe, Weatherproof & Reliable

Our anti-slip timber decking steps are a cost-effective alternative to traditional tread steps. Featuring DeckWright's anti-slip deck boards for each step, this weatherproof, treated product meets the demanding and varied weather conditions of the UK and Europe.

Each of the grooved boards consist of two anti-slip strips enhancing user safety. To be classed as 'non-slip decking' the PTV (Pendulum Test Value) minimum requirements are 35. With safety at the heart of the product, the DeckWright product boards have a measured PTV of 71. With our test value of 71, we far exceed minimum requirements and stand notably higher than other similar products.

DeckWright's deck boards are often found in full timber decking areas, providing a year-round anti-slip solution. Using these high-quality boards for our decking step product provides protection against damp weather, algae and moss.



www.wj-group.co.uk

WJ Components Ltd
3 Burma Drive, HU9 5SD
T: 01482 338950
E: info@wj-group.co.uk



Anti-Slip Decking Steps

Featuring **DeckWright** Boards



Components
WJ Group

Anti Slip Timber Decking Steps Technical Specifications

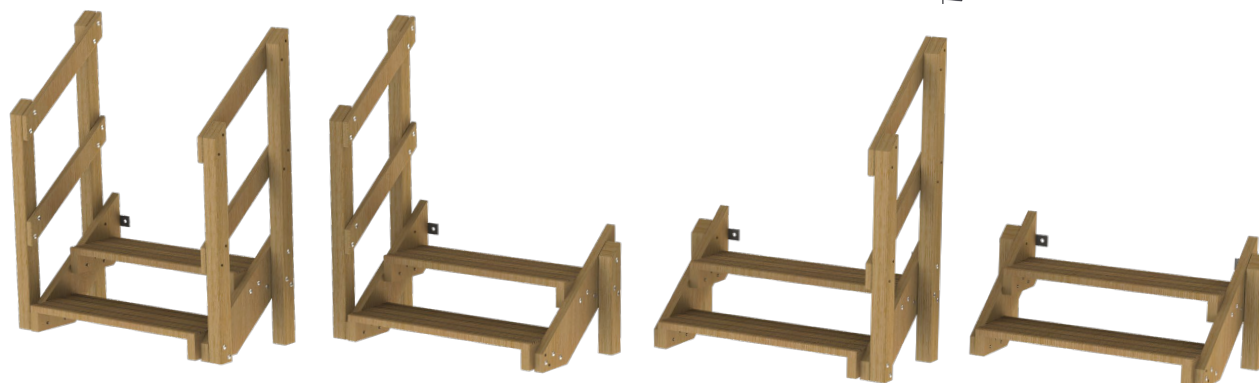
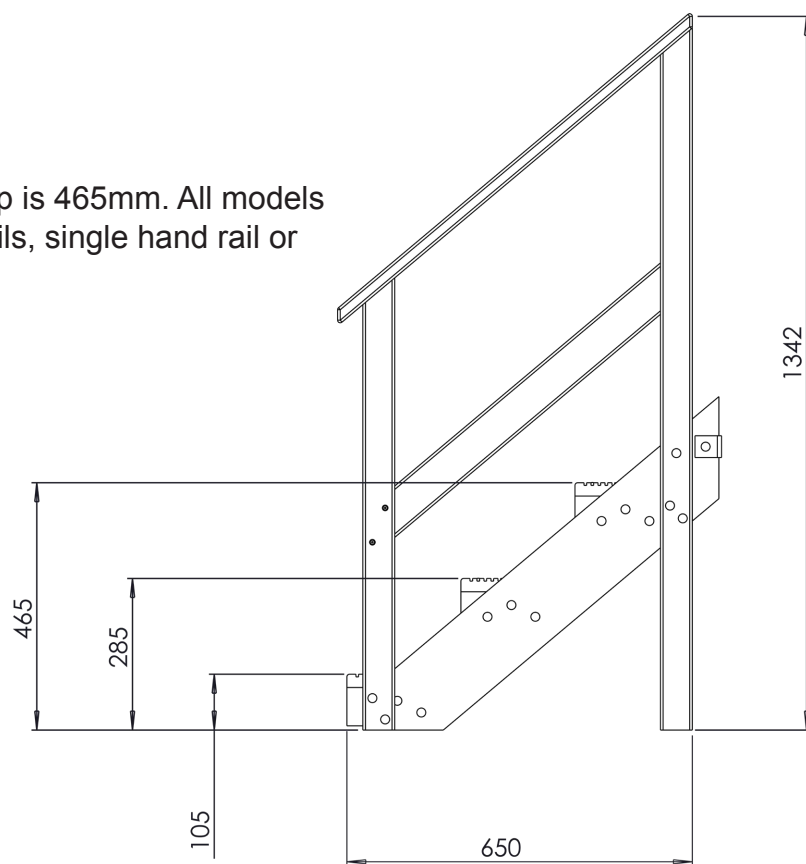
We offer two model variations to meet varying end user requirements. We offer a **three step** and a **two step** product, each with varying widths.

Model Variations

Both two and three step models are offered in step widths of:

- 800mm
- 1160mm
- 1465mm

Two step heights are 285mm and three step is 465mm. All models are offered with the options of dual hand rails, single hand rail or without hand rails.



www.wj-group.co.uk

WJ Components Ltd
3 Burma Drive, HU9 5SD
T: 01482 338950
E: info@wj-group.co.uk



Anti-Slip Decking Steps

Featuring **DeckWright** Boards



Components
WJ Group

Anti Slip Timber Decking Steps Packaging & Assembly

Simple, 5-Minute Assembly

Assembly is made easy with the Anti-Slip Decking Steps. The product is supplied in three pre-assembled pieces. To finalise the assembly, a total of **only 10 fixings** are required for complete assembly.

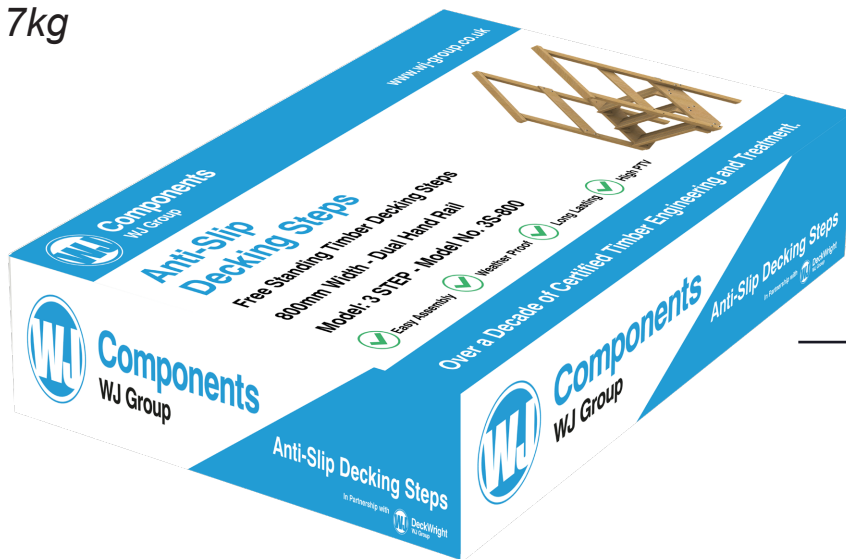


Step Weight

28.7kg

Dual Rail

3 Piece Kit



Box Dimensions

1340 x 900 x 300mm

www.wj-group.co.uk

WJ Components Ltd
3 Burma Drive, HU9 5SD
T: 01482 338950
E: info@wj-group.co.uk

